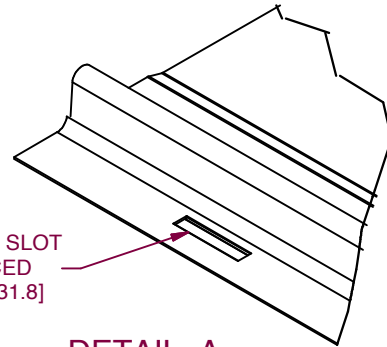
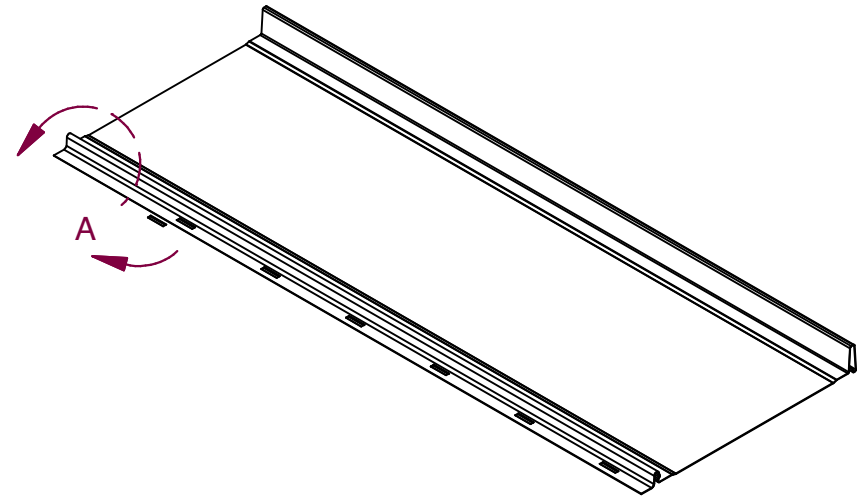


MWI METAL ROOFING INC

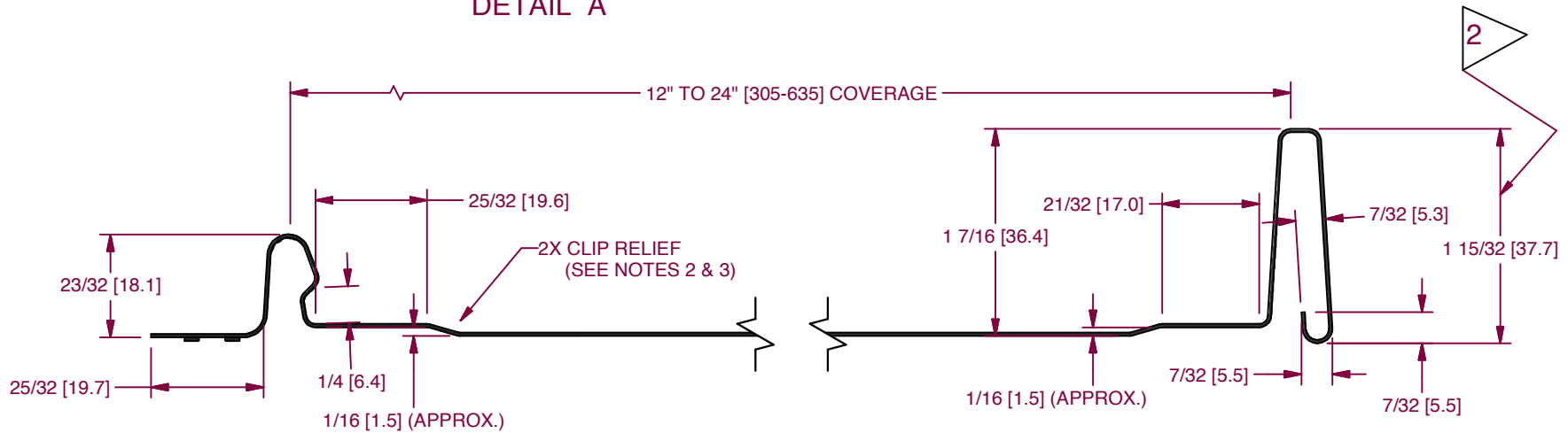
4282 Concession Rd 11, Ramara, Ontario L3V 0L7

Tel: 705-330-7966 www.mwimetalroofing.ca




1" x 1/4" [25.4 x 6.4] SLOT
EQUALLY SPACED
EVERY 5 3/16" [131.8]

DETAIL A



2 INCREASED LENGTH OF LEG
REVISED MATERIAL USAGE

- NOTES:
1. MATERIAL USAGE: 5 5/16"
 2. CLIP RELIEF ROLLERS ARE STANDARD WITH THIS PANEL.
 3. PANEL IS SHOWN WITH CLIP RELIEF ROLLERS ENGAGED.
 4. DUAL DIMENSIONS: Inch [mm]

MATERIAL PAINTED STEEL/PAINTED ALUMINUM/COPPER				FINISH NONE		 MWIMETALROOFING			
REVISION HISTORY	REV	ECR NO.	DATE	RELEASED BY	TOLERANCES			DRAWN BY	PART NAME
	0	TENTATIVE	11/02/2007	UNK	.XX = ` .01	AJB	FF150 PANEL PROFILE		
	1	R-1538	05/21/2008	UNK	.XXX = ` .005	DATE 11/02/2007			
	2	R-1796	09/22/2011	BT	FRACTION = ` 1/32"	CHECK BY BT	PART NUMBER		
					ANGLE = ` 1/2~	DATE 09/22/2011	FF5-FF5	SHEET 1 OF 1	REVISION 2