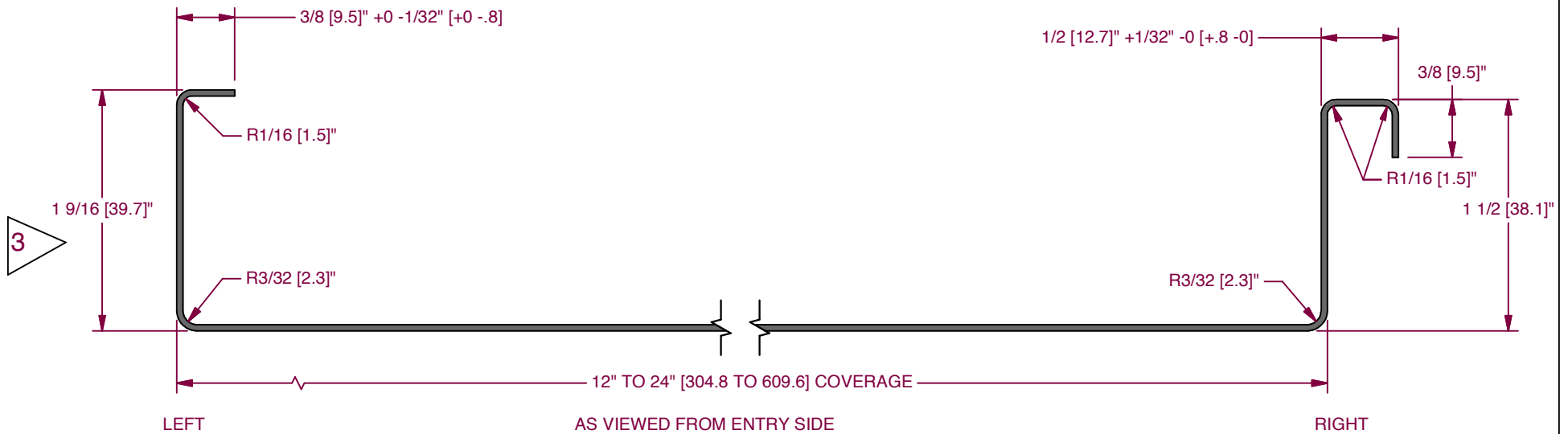
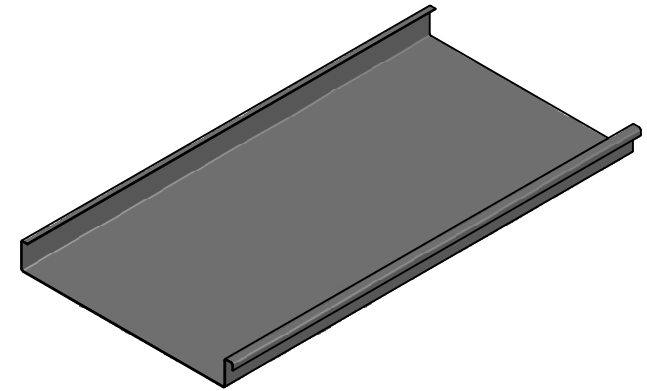



MWI METAL ROOFING INC

4282 Concession Rd 11, Ramara, Ontario L3V 0L7

Tel: 705-330-7966 www.mwimetalroofing.ca



- NOTES:
 1. MATERIAL USAGE: APPROX. 4" [101.6]
 2. DUAL DIMENSIONS: Inch [mm]

MATERIAL PAINTED STEEL/PAINTED ALUMINUM/COPPER				FINISH NONE		 MWIMETALROOFING	
REVISION HISTORY	REV	ECR NO.	DATE	RELEASED BY	TOLERANCES .XX = ` .01 .XXX = ` .005 FRACTION = ` 1/32" ANGLE = ` 1/2~	DRAWN BY Jim	PART NAME SS150 PANEL PROFILE
	0	REDRAWN	01/17/2008	JD		DATE 06/26/2002	
	1	ADDED R DIM	07/02/2009	JD		CHECK BY JD	PART NUMBER SP5-150P
	2	ADDED TOL.	07/22/2011	JD		DATE 01/17/2008	
3	LEG WAS 1"	05/02/2012	JD		SHEET 1 OF 1	REVISION 3	